



# Maine Woodturners Newsletter



September - 2015

## **Steven Kennard** - September Demonstrator



Steve is a master woodworker and a professional photographer. He is best known for his small turned boxes. These are usually made of exotic woods and frequently feature surface embellishment such as carving, texturing, and the addition of other materials. Steve began his career restoring antiques in England, for which he needed turned pieces to replace broken or missing parts. This architectural turning inspired him to try more creative work and he made his first box in 1980.

Steve was a featured presenter at this year's AAW symposium in Pittsburgh, PA. Steve teaches one-on-one woodturning courses in his studio as well as workshops all over the US and Canada. <http://www.stevenkennard.com/>



**SEPTEMBER 12<sup>th</sup>**

**SATURDAY DEMO**

9-4 – All-Purpose Room

Erskine Academy

South China, Maine

*Embellishing*

*Surface texturing*

*Surface decoration*

*On small lidded boxes*

### Attend and be inspired !



There is no Show & Tell

There is no Sale table

Demo Cost

Members \$20

Non-members \$30

Pizza Lunch \$5

# Secretary's Report

by Tom Raymond

The June 2015 meeting of Maine Woodturners was held at Erskine Academy in South China, Maine on Saturday the 20<sup>th</sup>. Thirty Members and four guests were in attendance.

President Brian Libby opened the meeting at 9:08 AM.

Chuck Seguin announced that he is working on updating the Website and is open for suggestions from the membership. He hopes to add a section on turning techniques. He said the Eastern Maine Club has 8 lathes available now.

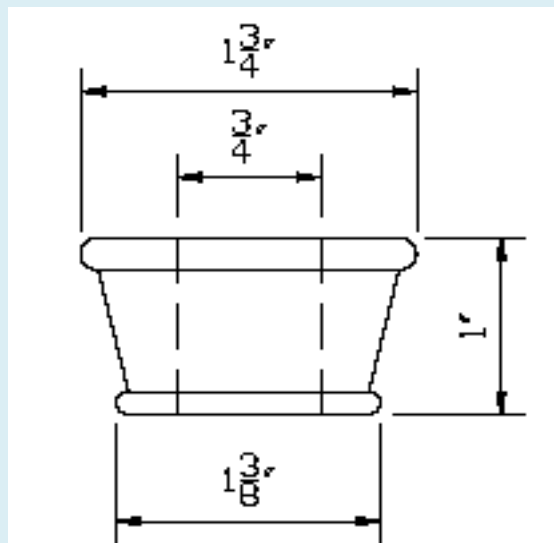
Brian announced that Western Maine Woodturners has scheduled Max Brosi from Ireland to Dirigo High School in Dixfield on July 11 for a demo. Cost is \$20 per person for anyone that wants to attend. Brian Introduced John Beaver from California as today's Demonstrator at 9:16 AM. Johns specialty is wave forms in the circumference of bowls. John continued with his demo until noon when we broke for lunch.

After lunch Burt Truman held a free raffle for about a dozen \$10 certificates from Craft Supplies.

Johns demo resumed at 12:50 PM and ended at 3:25.

Tom Raymond, Sec.

Eagle cane adaptors are always needed.



A radius at both top and bottom is desired.

This makes for a nicer transition .